

BARCODE LASER LABEL PRINTER

INERASABLE BARCODE LABEL.

LASER BARCODE PRINTER THAT

DOESN'T REQUIRE ANY EXTRA SUPPLIES.

MODEL : TTE-72FT

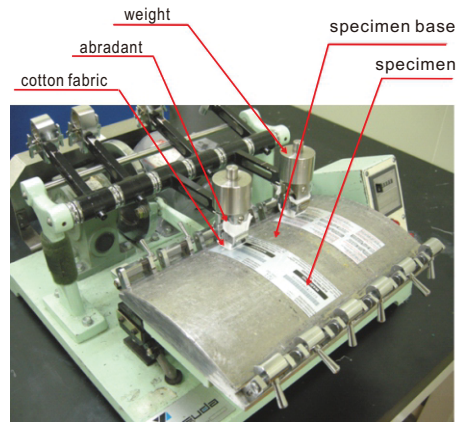


TOOTECH
www.tootech.co.kr



1. Test of Durability of Abrasion (Official approval FITI Test)

We observe the extent of damage to use the abrasion tester to a brase the surface of Barcode Label 50th, 100th, 150th, 200th, 250th, and 300th times. When it worn out, the pressurized load is 500g, and the abradant which is touched with Barcode Label is covered by white cotton. We put First class reagent Methyl Alcohol (99.5%) to White cotton every measurement.



<Illustration, Durability of Abrasion Tester>

<Table, Result>

Views	Ribbon Label	Laser Label
Suggestions	89002Y8902953 4000 mAh리튬 폴리머 *배터리의 보증기간은 6개월입니다.	G220TW5M8400155
50 th	89002Y8902953 4000 mAh리튬 폴리머 *배터리의 보증기간은 6개월입니다.	G220TW5M8400155
100 th	89002Y8902953 4000 mAh리튬 폴리머 *배터리의 보증기간은 6개월입니다.	G220TW5M8400155
150 th	89002Y8902953 4000 mAh리튬 폴리머 *배터리의 보증기간은 6개월입니다.	G220TW5M8400155
200 th	89002Y8902953 4000 mAh리튬 폴리머 *배터리의 보증기간은 6개월입니다.	G220TW5M8400155
250 th	89002Y8902953 4000 mAh리튬 폴리머 *배터리의 보증기간은 6개월입니다.	G220TW5M8400155
300 th	89002Y8902953 4000 mAh리튬 폴리머 *배터리의 보증기간은 6개월입니다.	G220TW5M8400155

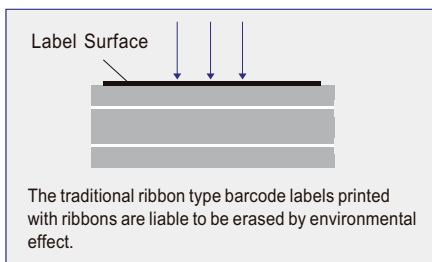
Contact us for an innovative solution for your problems in logistics, distribution, and management of materials and products.

The indelible laser barcode label is an exclusive product of TOOTECH no competitor at all.

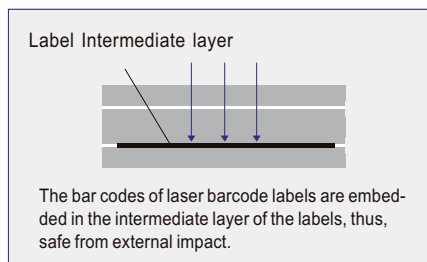
Currently, SAMSUNG Electronics is applying TOOTECH labels because the conventional barcode labels are liable to be erased. When fully recognized, the labels will be adopted by so many companies as to restructure the future barcode market.

PRODUCT FEATURE

Conventional Ribbon Type Label



Indelible Laser Label



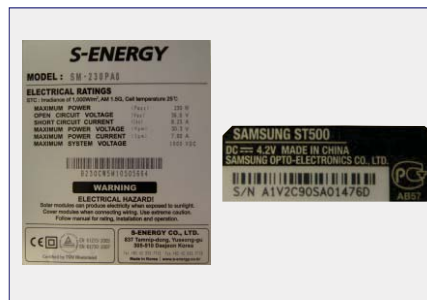
- Barcode and data are **not damaged by chemicals or abrasion**
- **No illegibility problem** caused by damaged barcode printer head
- **No problem of printing failure** caused by ribbon
- **No extra maintenance cost** for ribbons or other consumables

EXEMPLARSUPPLY

Laser label base sheet



Exemplary production of laser labels



1523.8

1425.0

900.0

150.0

Printer Spec

Barcode & Laser Solution Frontier

MODEL : TTE - 72FT(Ver3)

FRONT



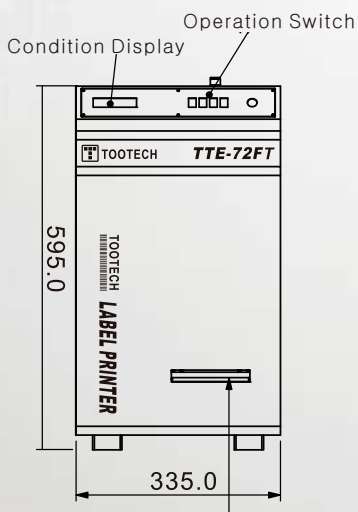
SIDE



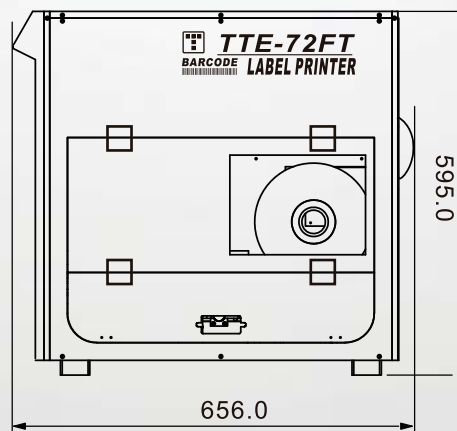
BACK



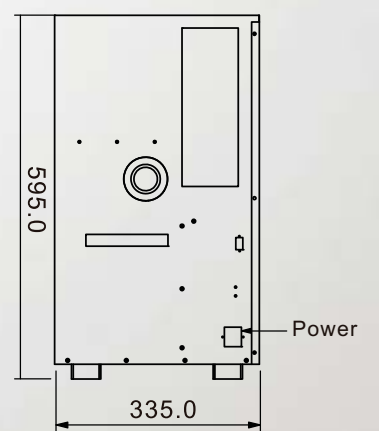
FRONT



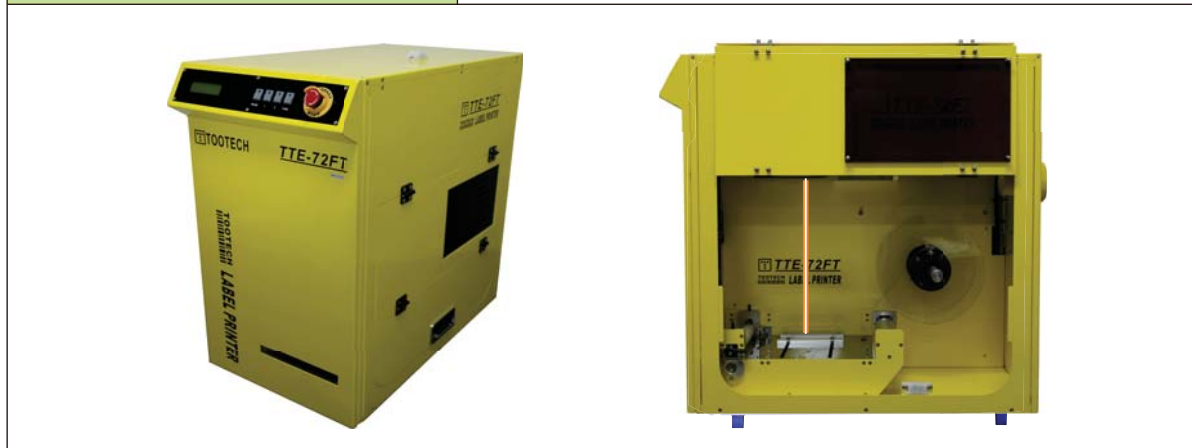
SIDE



BACK



Model	TTE-72FT(Ver3)
Print Area	120mm(W) x 160mm(H)
Print Speed	Max 500 chr/s
Print Resolution	600 ~ 2,000 dpi
Laser Type	Fiber Type
Laser Power	Max 20W
Communication	USB Type or LAN Type
Size	335(W) x 656(D) x 595(H) (mm)
Weight	45kg
Option Part	Rewinder (External), Bartender Barcode Software, Barcode Vision Inspector
Software	Window Print Driver Provided (32bit PC use only)
Cooling Method	Natural Air Cooling
Electric Source	85 ~ 265 VAC (47 ~ 63Hz)
Workable Temperature	+10 ~ +35°C



·The specifications are subject to change without notice.

Printer Spec

Barcode & Laser Solution Frontier

MODEL : TTE - 72FP(Ver2)

FRONT

SIDE

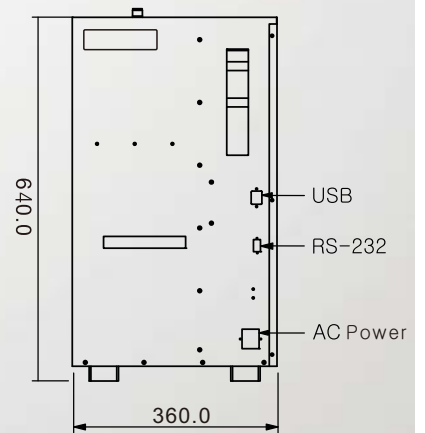
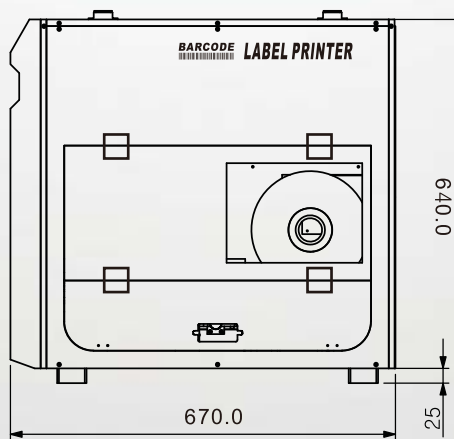
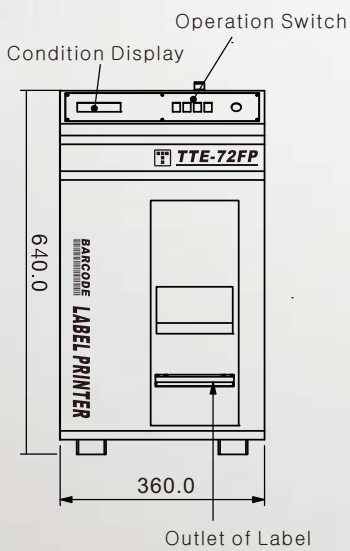
BACK



FRONT

SIDE

BACK



Model	TTE-72FP(Ver2)
Print Area	120mm(W) x 160mm(H)
Print Speed	Max 500 chr/s
Print Resolution	600 ~ 2,000 dpi
Laser Type	Fiber Type
Laser Power	Max 20W
Communication	USB Type, (Option : PCI Interface)
Size	360(W) x 670(D) x 640(H) (mm)
Weight	60kg
Option Part	Rewinder (External), Bartender Barcode Software, Barcode Vision Inspector
Software	Window Print Driver Provided (32bit PC use only)
Cooling Method	Natural Air Cooling
Electric Source	85 ~ 265 VAC (47 ~ 63Hz)
Workable Temperature	+10 ~ +35°C



·The specifications are subject to change without notice.

MODEL : TTE - 72FR(Ver1)

FRONT



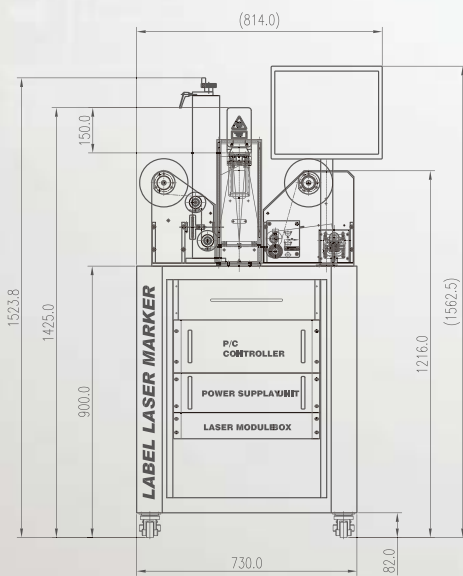
SIDE



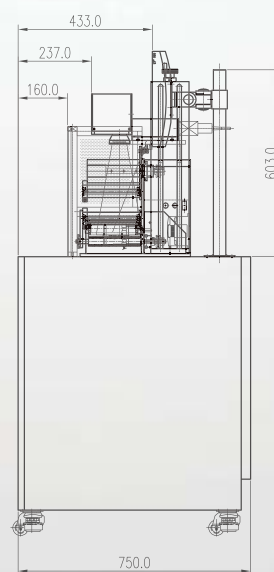
UPPER



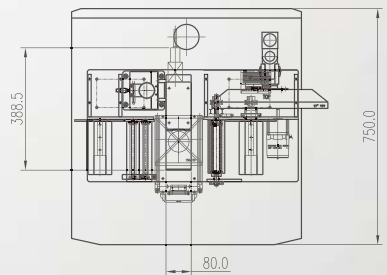
FRONT



SIDE



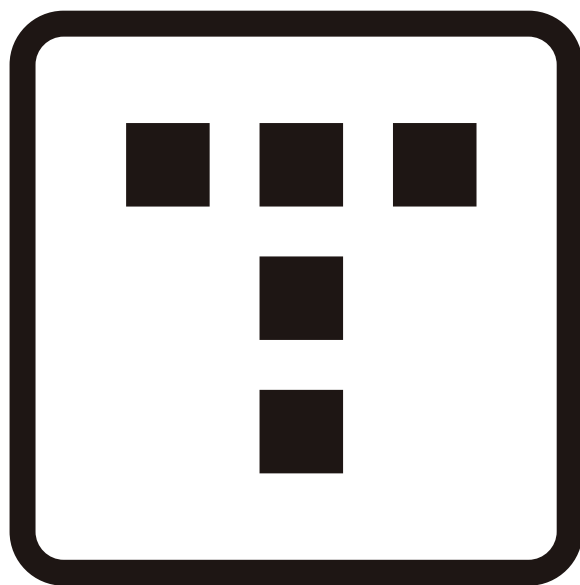
UPPER



Model	TTE-72FR (Ver1)
Print Area	160mm(W) x 160mm(H)
Print Speed	Max 500 chr/s
Print Resolution	1,000 dpi
Laser Type	Fiber Type
Laser Power	Max 20W
Communication	PC Integrated Type
Size	814(W) x 750(D) x 1,562(H) (mm)
Weight	100kg
Option Part	Barcode Vision Inspector
Software	Basic Print Program Provided
Cooling Method	Natural Air Cooling
Electric Source	220V / 5A (50 ~ 60Hz)
Workable Temperature	+10 ~ +35°C



·The specifications are subject to change without notice.



TOOTECH

www.tootech.co.kr